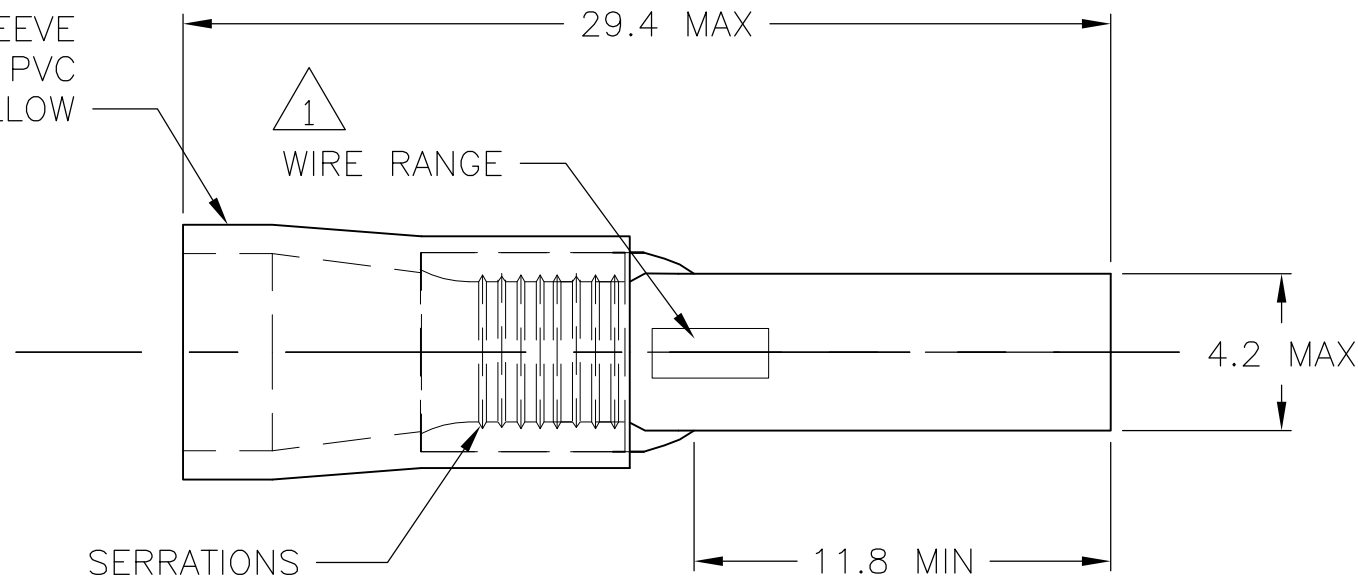


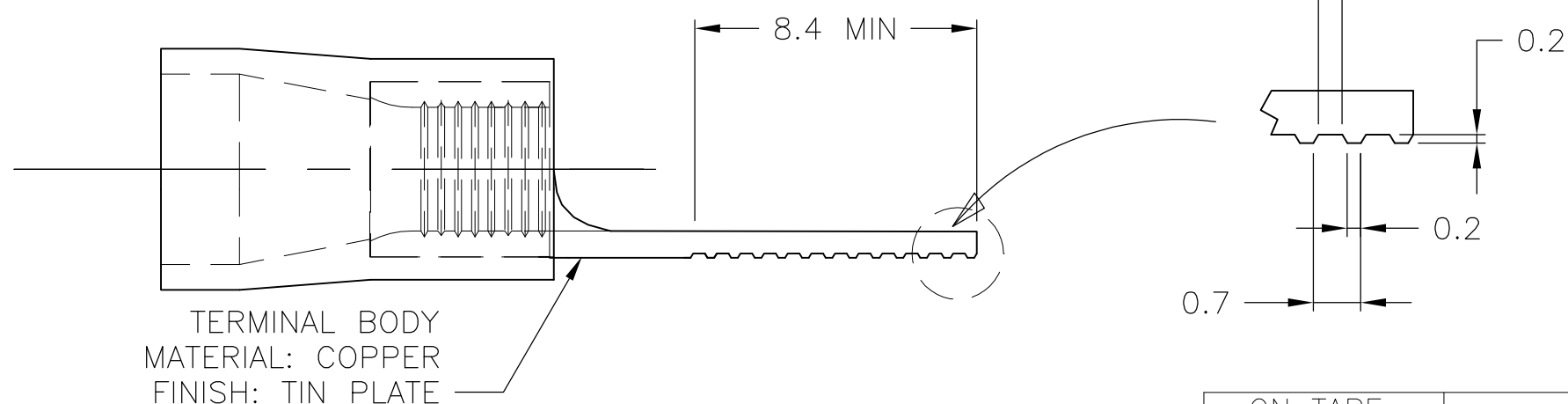
THIS DRAWING IS UNPUBLISHED. RELEASED FOR PUBLICATION
 © COPYRIGHT BY TYCO ELECTRONICS CORPORATION. ALL RIGHTS RESERVED.

LOC	DIST	REVISIONS					
G	02	P	LTR	DESCRIPTION	DATE	DWN	APVD
		B2		REV PER ECR 07-011918	21MAY07	JR	TM

INSULATION SLEEVE
 MATERIAL: PVC
 COLOR: YELLOW



- 1 WIRE SIZE IS 12-10 AWG
- 2 WIRE INSULATION DIA: 3.8-6.4
- 3 MATERIAL THICKNESS IS 0.80±0.05
- 4 600 VOLT MAX
- 5 CIRCULAR MIL AREA:
5,180-13,100 (2.62mm²-6.63mm²)



TERMINAL BODY
 MATERIAL: COPPER
 FINISH: TIN PLATE

ON TAPE, REEL	STANDARD	3000	2-131445-1
PLASTIC BAG	STANDARD	500	131445
PACKAGING	LABELLING	QTY	PART NO

THIS DRAWING IS A CONTROLLED DOCUMENT.		DWN	jr_ruth	29MAR06	Tyco Electronics Corporation Harrisburg, PA 17105-3608		
DIMENSIONS: mm		CHK	T MICHIELUTTI	29MAR06	NAME TERMINAL, PIN, PLASTI-GRIP,		
TOLERANCES UNLESS OTHERWISE SPECIFIED:		APVD	T MICHIELUTTI	29MAR06	PRODUCT SPEC		
0 PLC ± -		APPLICATION SPEC		SIZE			RESTRICTED TO
1 PLC ± 0.5		-		CAGE CODE			A300779
2 PLC ± -		-		DRAWING NO			
3 PLC ± -		-		G-131445			SCALE 5:1
4 PLC ± -		-		SHEET 1 OF 1			
ANGLES ± 1°		-		REV B2			
MATERIAL		FINISH		CUSTOMER DRAWING			